

Part No.: KNC-HNDi120



Indoor Dome Mega Pixel IP Camera

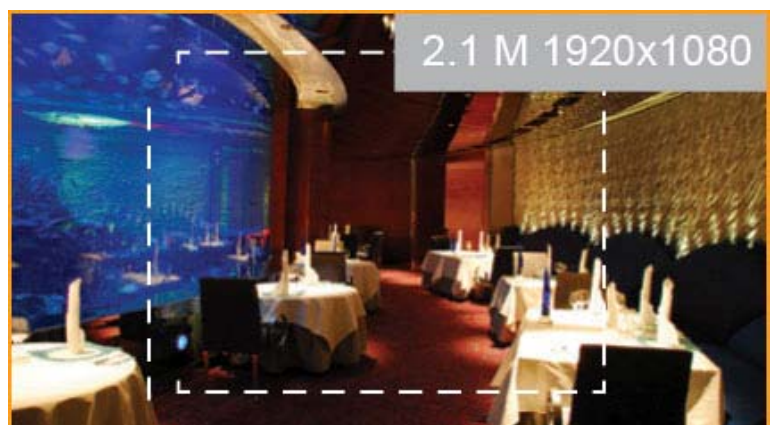
- 2.1 Megapixel
- Maximum Resolution of 1920 x 1080 @ 30fps
- True Mechanical Day and Night (ICR)
- Onvif 1.02, Onvif Profile S Support
- PoE (Power over Ethernet and Dual Power)
- Mega-pixel Varifocal Lens (3.6~16mm)
- Web Viewer

Key Features

- 1/2.8" Exmor SONY Color CMOS
- 1920 x 1080 @ 30fps
- H.264 & Motion JPEG
- True Mechanical Day and Night (ICR)
- Full Duplex (Two-way) Audio Support
- Multiple Network Protocols Support
- Multiple User Access with Password Protection
- Megapixel Varifocal Lens (3.6~16mm)
- Compression, Brightness, Contrast, Saturation, Hue, Sharpness, White balance, Exposure Control
- Rotation of Images
- Text and Image Overlay
- Privacy Mask
- Analog Service Output
- POE, DC12V



2.1Mega Pixel (1920x1080)



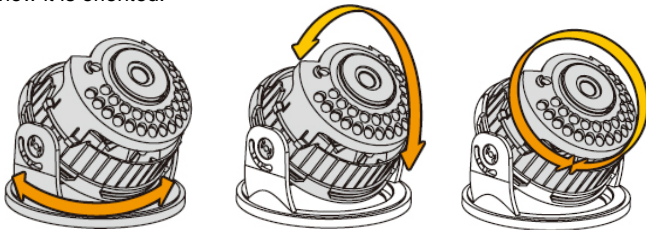
* Specifications & Features are subject to change without prior notice.

KT&C America, Inc.: (East)
777 Terrace Ave. Suite 402, Hasbrouck Heights, NJ 07604
T: 201-393-0118 F: 201-393-0116 E: sales-america@ktnccamerica.com

KT&C USA, Inc.: (West)
3240 Wilshire Blvd. #501, Los Angeles, CA 90010
T: 213-381-0061 / F: 213-381-0061 E: sales-usa@ktnccusa.com

3 -Axis Rotating Mechanism

This camera is mounted on a 3-axis rotating platform, which allows an installer to easily adjust the field of view horizontally, vertically, and/or with a rotary movement. With this feature, you don't need to worry about where the camera is attached and/or how it is oriented.



Convenient OSD Menu

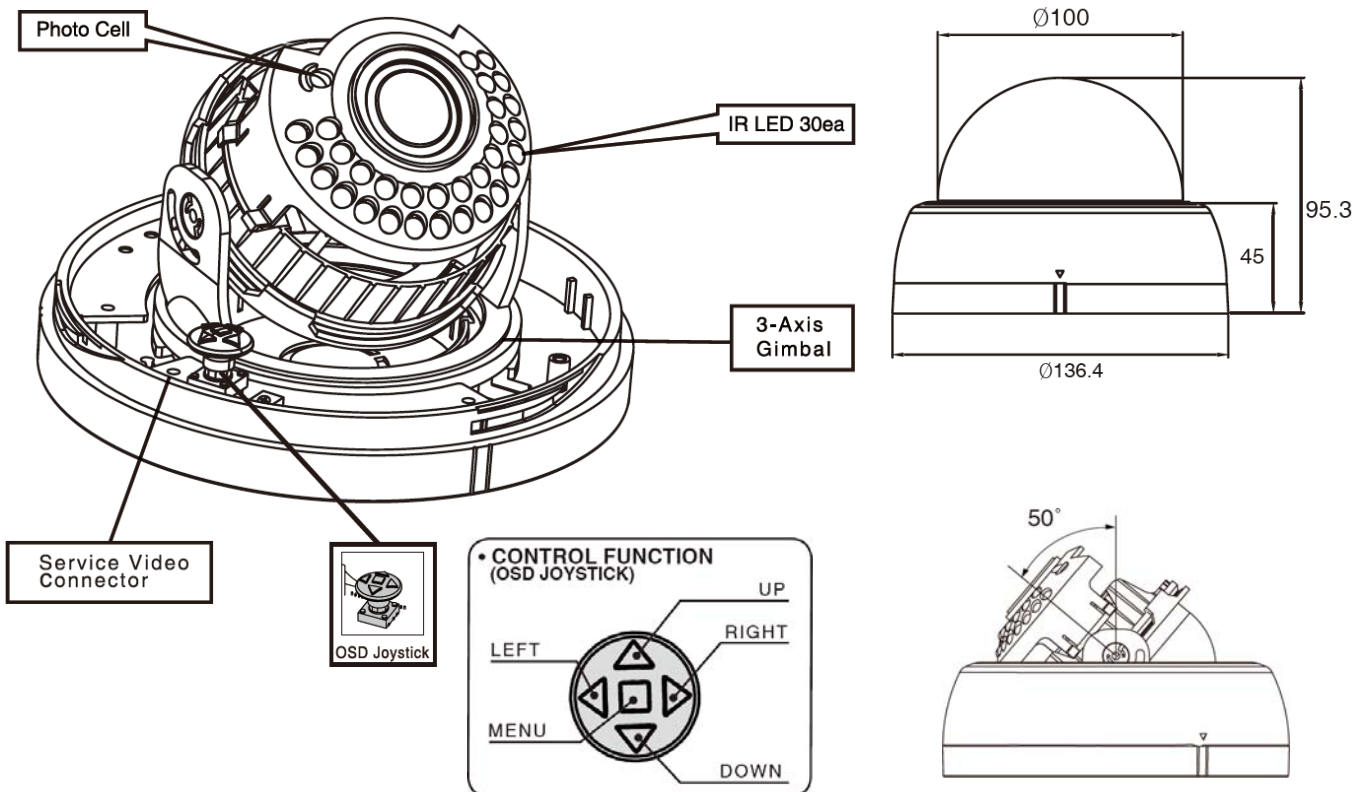
All camera operation can be controlled by OSD (On-Screen Display) menu on the monitor screen so that users can adjust this camera for optimal setting with great convenience.

Secondary Video Output Terminal

The built-in secondary video output gives the convenience of on-the-spot adjustments of the angle and focus.

General Feature Diagram

(Unit: mm)



* Specifications & Features are subject to change without prior notice.

Part No.: KNC-HNDi120

Technical Specification

Model	KNC-HNDi120
Image Sensor	1/2.8" Exmor SONY Color CMOS
Video / Compression	H. 264 / Motion JPEG
Resolution	1920x1080(H.264) 1280x720(H.264)+1280x720(JPEG) 1280x720(H.264)+720x480(JPEG) 1280x720(H.264)+720x480(JPEG) 1280x720(H.264)+720x480(JPEG) 1280x720(H.264)+176x120(JPEG) 720x480(H.264)+720x480(JPEG) 320x240(H.264)+320x240(JPEG)
Frame Rate	H.264 : 30fps / Motion JPEG : 30fps
Video Streaming	Multi-stream H.264 and Motion JPEG: simultaneous, individually configured streams in max. resolution at 30 fps controllable frame rate and bandwidth
Image Setting Option	Compression, brightness, contrast, saturation, hue, sharpness, white balance, exposure control, rotation of images, text and image overlay, privacy mask
Min. Illumination	0 Lux (IR LED On)
IR LED	30 IR LEDs, 850nm Up to 100ft (IR Distance)
IR LED Operation	On (1 Lux) / Off (3 Lux)
Day & Night	True Mechanical Day and Night (ICR)
Network Security	Multiple user access levels with password protection
Network Supported Protocols	IPv4, HTTP, TCP, RTSP, RTP, UDP, IGMP, RTCP, SMTP, FTP, ICMP, DHCP, ARP, DNS, DDNS, HTTPS, UPnP
Application Programming Interface (API)	Open API for software Integration, Including API and SDK
Intelligent Video	Video motion detection
Local storage	Recording video streams or JPEG images when event triggered video streams or JPEG can be downloaded by internal web server
Alarm Triggers	Intelligent video, external inputs, manual triggers
Alarm Events	File upload via FTP, notification via e-mail, external output activation recording Video or JPEG using Micro-SD : recording video streams or JPEG images when event triggered, video streams or JPEG can be downloaded by internal web server
Interfaces Other	RJ-45 for Ethernet 10baseT/100baseTX with PoE (Power over Ethernet) Analog composite output (for Service Video) Cropping video display button for easy focus setting
Operating Temperature/Condition	-10 °C ~ 50 °C (14 °F ~ 122 °F) / Humidity 20~80% RH (non-condensing)
Power Supply	POE(Power over Ethernet) Class 3 (IEEE 802.3af), DC12V
Dimension & Weight	Dome (ø100mm), 136.4mm(ø) x 95.3mm(H) Dome (ø3.94"), 5.37"(ø) x 3.75"(H)

* Specifications & Features are subject to change without prior notice.

Last updated 3/12/2013

KT&C America, Inc.: (East)
777 Terrace Ave. Suite 402, Hasbrouck Heights, NJ 07604
T: 201-393-0118 F: 201-393-0116 E: sales-america@ktncamerica.com

KT&C USA, Inc.: (West)
3240 Wilshire Blvd. #501, Los Angeles, CA 90010
T: 213-381-0061 / F: 213-381-0061 E: sales-usa@ktncusa.com